

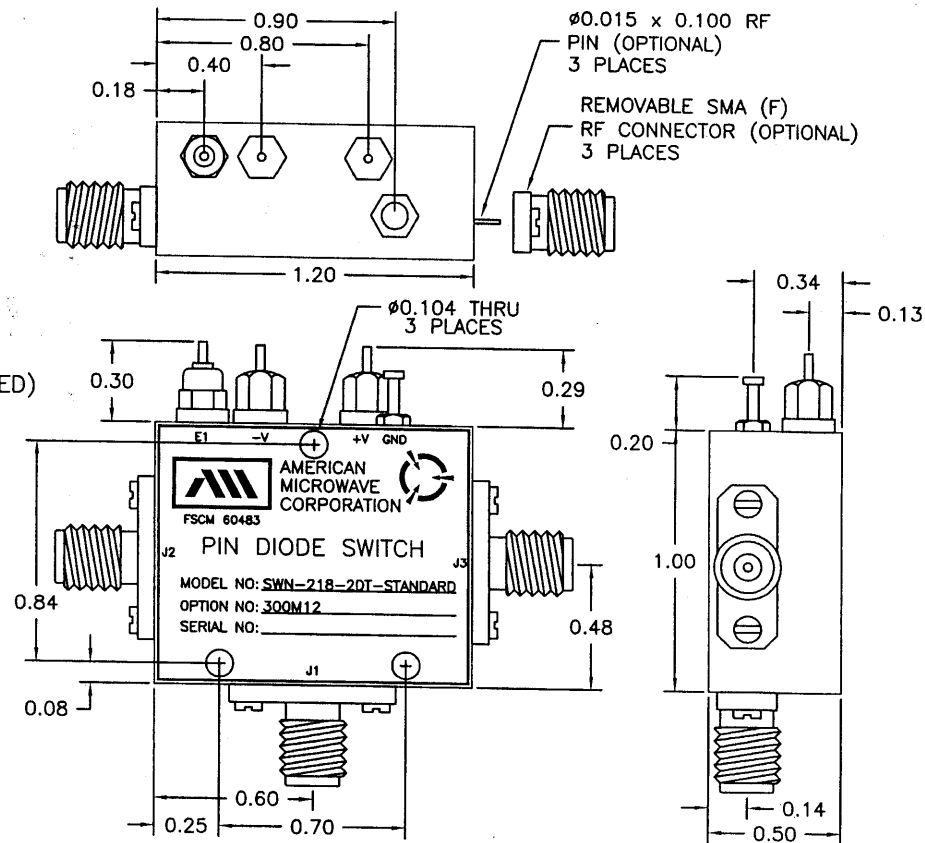
DESCRIPTION

AMC MODEL SWN-218-2DT-STANDARD OPTION: 300M12 IS AN ABSORPTIVE/NON-REFLECTIVE SINGLE POLE TWO THROW SWITCH DESIGNED TO OPERATE OVER THE FULL 0.3 TO 12 GHz FREQUENCY RANGE WITH AN INSERTION LOSS OF 3.5 dB MAXIMUM AND ISOLATION OF 45 dB MINIMUM BETWEEN 0.3 TO 2 GHz, 60 dB MINIMUM BETWEEN 2 TO 12 GHz.

SPECIFICATIONS

- FREQUENCY RANGE: 0.3 TO 12 GHz
- INSERTION LOSS: 3.5 dB MAXIMUM
- ISOLATION: 0.3-2 = 45 dB MINIMUM
2-12 = 60 dB MINIMUM
- VSWR: 2.0:1
- RISE TIME: 10 nSec TYPICAL, 15 nSec MAXIMUM
- FALL TIME: 10 nSec TYPICAL, 15 nSec MAXIMUM
- DELAY ON: 75 nSec TYPICAL, 100 nSec MAXIMUM
- DELAY OFF: 75 nSec TYPICAL, 100 nSec MAXIMUM
- POWER INPUT: (CW)+20 dBm (STANDARD), +10 dBm (HIGH SPEED)
- SURVIVAL POWER: 1 WATT CW, 10 WATTS PEAK 1 uSec
- CONTROL: TTL LOGIC "0" = J1-J2 ON
TTL LOGIC "1" = J1-J3 ON
- POWER SUPPLY: +5V @ 100 mA MAXIMUM
-5V @ 100 mA MAXIMUM
- CONNECTORS:
RF: SMA FEMALE
CONTROL: SOLDER PIN
- SIZE: 1.20" (L) x 1.00" (W) x 0.50" (H)
- WEIGHT: 1.5 oz. TYPICAL

REVISIONS				
ZONE	REV.	DESCRIPTION	DATE	APPROVED
	-	ORIGINAL RELEASE JOB# 408194-1	10/11/04	



ENVIRONMENTAL RATINGS

- TEMPERATURE: -55°C TO +85°C (OPERATING)
-65°C TO +125°C (STORAGE)
- HUMIDITY: MIL-STD-202F, METHOD 103B COND. B
- SHOCK: MIL-STD-202F, METHOD 213B COND. B
- VIBRATION: MIL-STD-202F, METHOD 204D COND. B
- ALTITUDE: MIL-STD-202F, METHOD 105C COND. B
- TEMPERATURE CYCLE: MIL-STD-202F, METHOD 107D COND. A

NOTE: SPECIFICATIONS WILL VARY OVER OPERATING TEMPERATURE
NOTE: THE ABOVE SPECIFICATIONS ARE SUBJECT TO CHANGE OR REVISION

ALL DIMENSIONS ARE IN INCHES
TOLERANCES:
X.XX ±0.020
X.XXX ±0.010

AMERICAN MICROWAVE CORPORATION

7311-G GROVE ROAD
FREDERICK, MARYLAND 21704 USA
TEL: 301-662-4700 FAX: 301-662-4938
WEBSITE: www.americanmicrowavecorp.com
E-MAIL: sales@americanmicrowavecorp.com
ISO 9001:2000 CERTIFIED

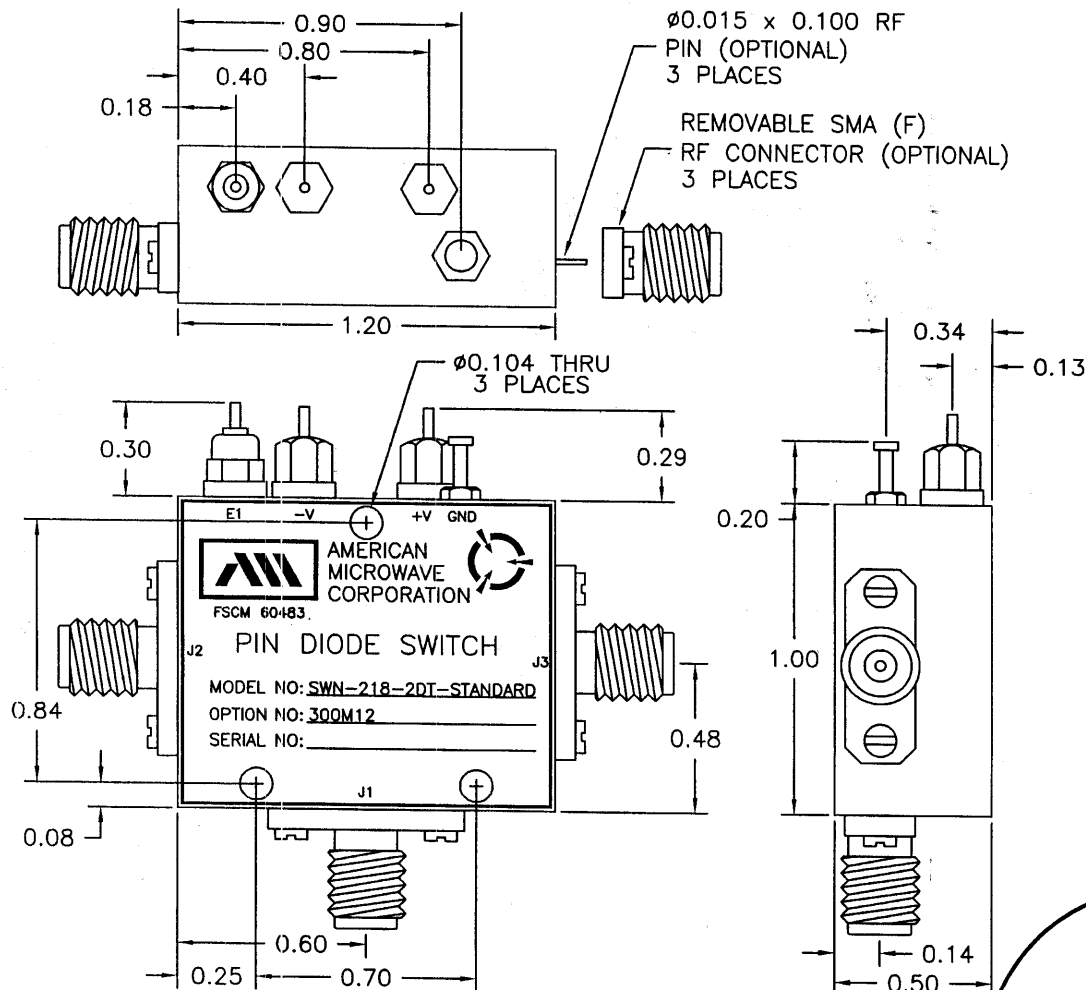


APPROVALS		DATE	TITLE			
DRAWN	JDJ	10/11/04	PRODUCT FEATURE SWN-218-2DT-STANDARD OPTION: 300M12 0.3 TO 12 GHz, SINGLE POLE TWO THROW SWITCH			
CHECKED			SIZE	FSCM NO.	DWG NO.	REV.
ISSUED			A	60483	100-7203	-
			SCALE	N:S		SHEET
					1 OF 3	

DESCRIPTION

AMC MODEL SWN-218-2DT-STANDARD OPTION: 300M12 IS AN ABSORPTIVE/NON-REFLECTIVE SINGLE POLE TWO THROW SWITCH DESIGNED TO OPERATE OVER THE FULL 0.3 TO 12 GHz FREQUENCY RANGE WITH AN INSERTION LOSS OF 3.5 dB MAXIMUM AND ISOLATION OF 45 dB MINIMUM BETWEEN 0.3 TO 2 GHz, 60 dB MINIMUM BETWEEN 2 TO 12 GHz.

REVISIONS				
ZONE	REV.	DESCRIPTION	DATE	APPROVED
	-	ORIGINAL RELEASE JOB# 408194-1	10/11/04	



MECHANICAL OUTLINE

AMERICAN MICROWAVE CORPORATION

7311-G GROVE ROAD
 FREDERICK, MARYLAND 21704 USA
 TEL: 301-662-4700 FAX: 301-662-4938
 WEBSITE: www.americanmicrowavecorp.com
 E-MAIL: sales@americanmicrowavecorp.com
 ISO 9001:2000 CERTIFIED



ALL DIMENSIONS ARE IN INCHES
 TOLERANCES:
 X.XX ±0.020
 X.XXX ±0.010

APPROVALS		DATE	TITLE			REV.
DRAWN	<i>FDJ</i>	10/11/04	MECHANICAL OUTLINE SWN-218-2DT-STANDARD OPTION: 300M12 0.3 TO 12 GHz, SINGLE POLE TWO THROW SWITCH			-
CHECKED	<i>PA</i>	1/14/05	SIZE	FSCM NO.	DWG NO.	
ISSUED			A	60483	100-7203	
			SCALE	N:S	SHEET	2 OF 3